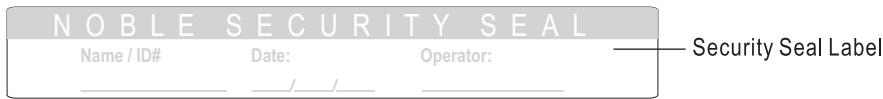
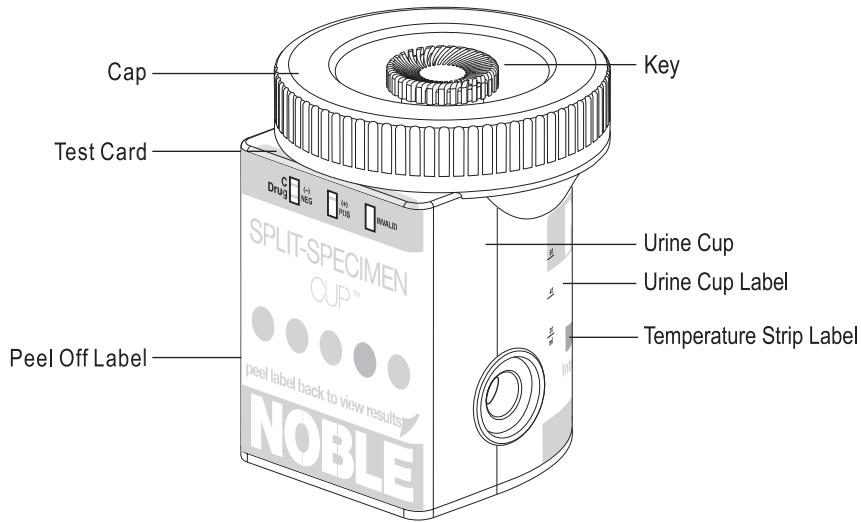
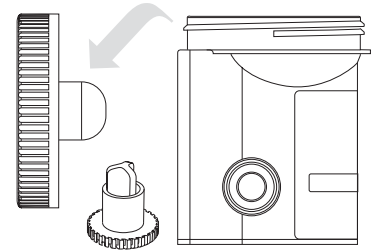


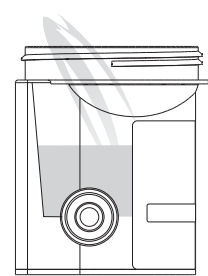
# SPLIT-SPECIMEN CUP™ PROCEDURE CARD



**1** Donor removes Cap.  
(Key is held by technician).



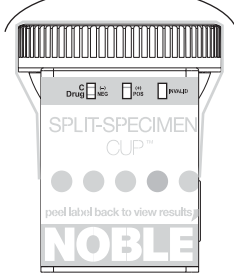
**2** Donor provides specimen and secures Cap tightly.



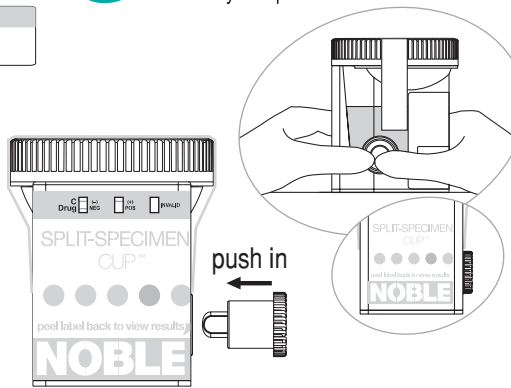
**3** Technician dates and initials the Security Seal and places Security Seal over Cap.



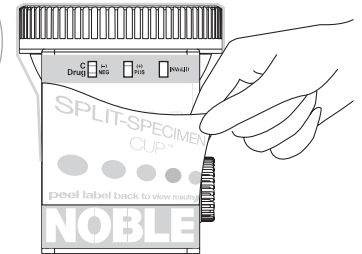
Place Security Seal over Cup



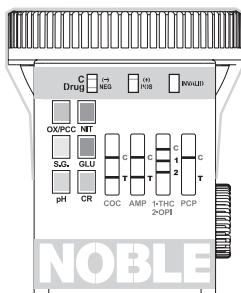
**4** Technician places Cup on a flat surface, inserts Key and pushes in.



**5** Technician peels off Label to view results.



**6** Read Adulteration test results between 2 - 5 minutes.



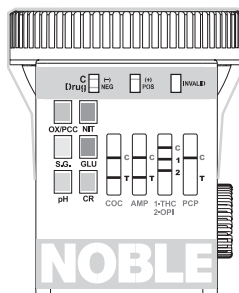
Note: Not all Cup configurations come with Adulteration Strips.



**Adulteration Strips**

See color chart and package insert for interpretation

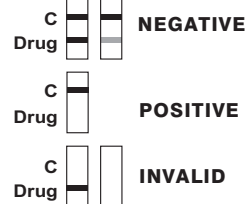
**7** Read Drug Strips at 5 minutes.



Example: test shows positive for PCP



Read results at 5 minutes



All positive results are presumptive and should be confirmed by an alternative method (e.g. GC/MS)

**8** A photocopy of the results can be made by placing the entire Cup with the results face down on the copier.

